



JEZI-201E:

**125KHz Proximity
Card Reader**

JEZI-201M:

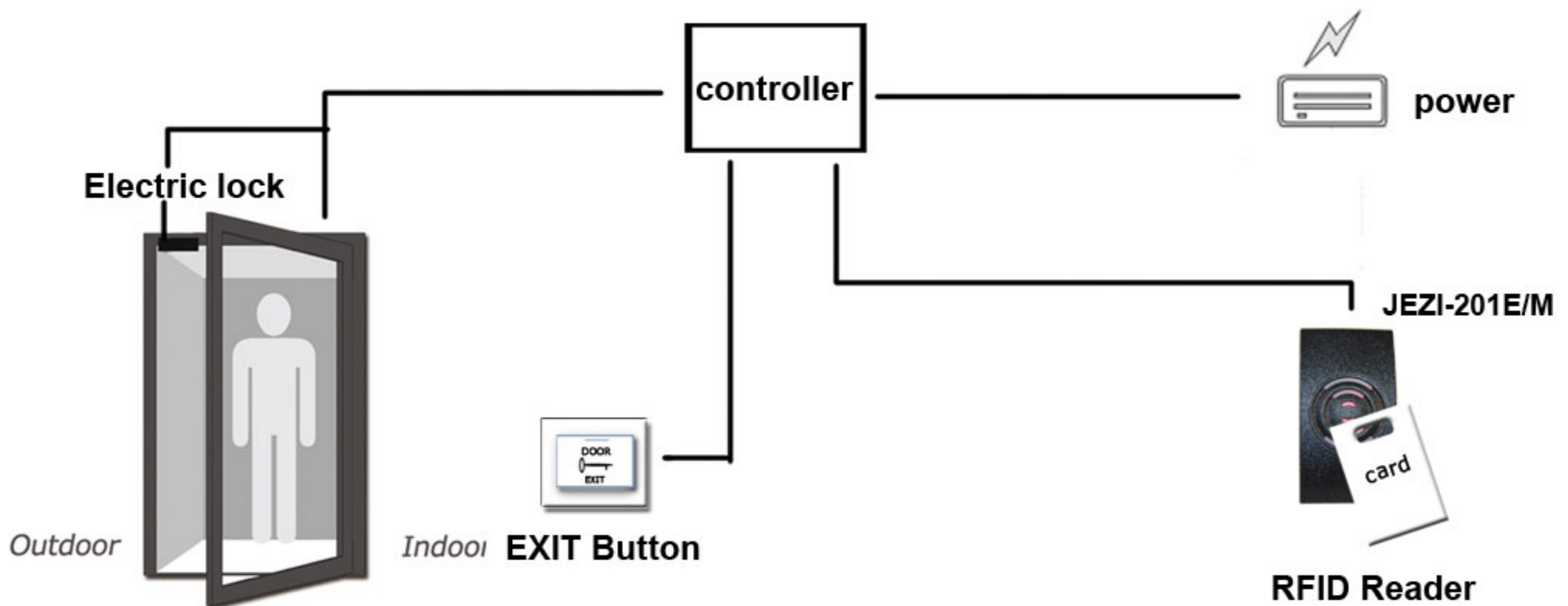
**13.56MHz Miface
Card Reader**

Features

- **125KHz Proximity / 13.56MHz Miface Card Reader**
- **Read Range:Up to 10CM (125KHz)/5cm (13.56mhZ)**
- **23 / 34 bit Wiegand (default)**
- **Easy to install on Metal Door Frame or Mullion**
- **External LED Control**
- **External Butter Control**
- **Indoor / Outdoor Operation**
- **Solid Epoxy Potted**
- **Waterproof IP65**
- **Reverse Polarity Protection**

SKETCH DIAGRAM

Network Access Controller Solution with Software



SPECIFICATIONS

Model	JEZI-201E	JEZI-201M
Read Range	Up to 10CM	Up to 5CM
Reading Time (Card)	≤300ms	
Power / Current	DC 6-14V / Max.70mA	
Input Port	2ea (External LED Control, External Buzzer Control)	
Output Format	26bit Wiegand (default)	36bit Wiegand (default)
LED Indicator	2 Color LED Indicators(Red and Green)	
Beeper	Yes	
Operating Temperature	-20° to +65°C	
Operating Humidity	10% to 90% relative humidity non-condensing	
Color	Black	
Material	ABS+PC with texture	
Dimension (W x H x T)mm	84.5*44*16.8	
Weight	55g	
Index of Protection	IP65	