



# Bluetooth Door Lock

- unlocking in contactless

Jezi-800BL



Bluetooth  
Unlock



Finger-Touch  
Keypad



Password  
Unlock



Key Unlock



Low-Voltage  
Alarm



Tamper alarm



Events Query



Remote Password  
Control

## Specification

### Lock Material

Zinc Alloy with Chrome Plating

### Unlock Mode

Mobile phone, Password, Mechanical key

### Password Length

4-8 digits

### Speaker

Voice prompt with light

### Password

300

### Mobile phone

Unlimited

### Remote Unlocking Distance

≤30 meters

### Power Supply Voltage

4.8V-DC6.5V

### Low Voltage Warning

<5V

### Dynamic Current

<200mA

### Quiescent Current

<30uA

### Power Supply

4 PCS 1.5V AA Alkaline Batteries

### Power Lifetime

12-18 Months

### Working Temperature

0°C - 70 °C

### Operation Humidity

10%-90%

### Applicable Door Size

38-50mm (Thickness)

### Weight

1.0KG

### Lock Size

173 X 60 X 12 mm

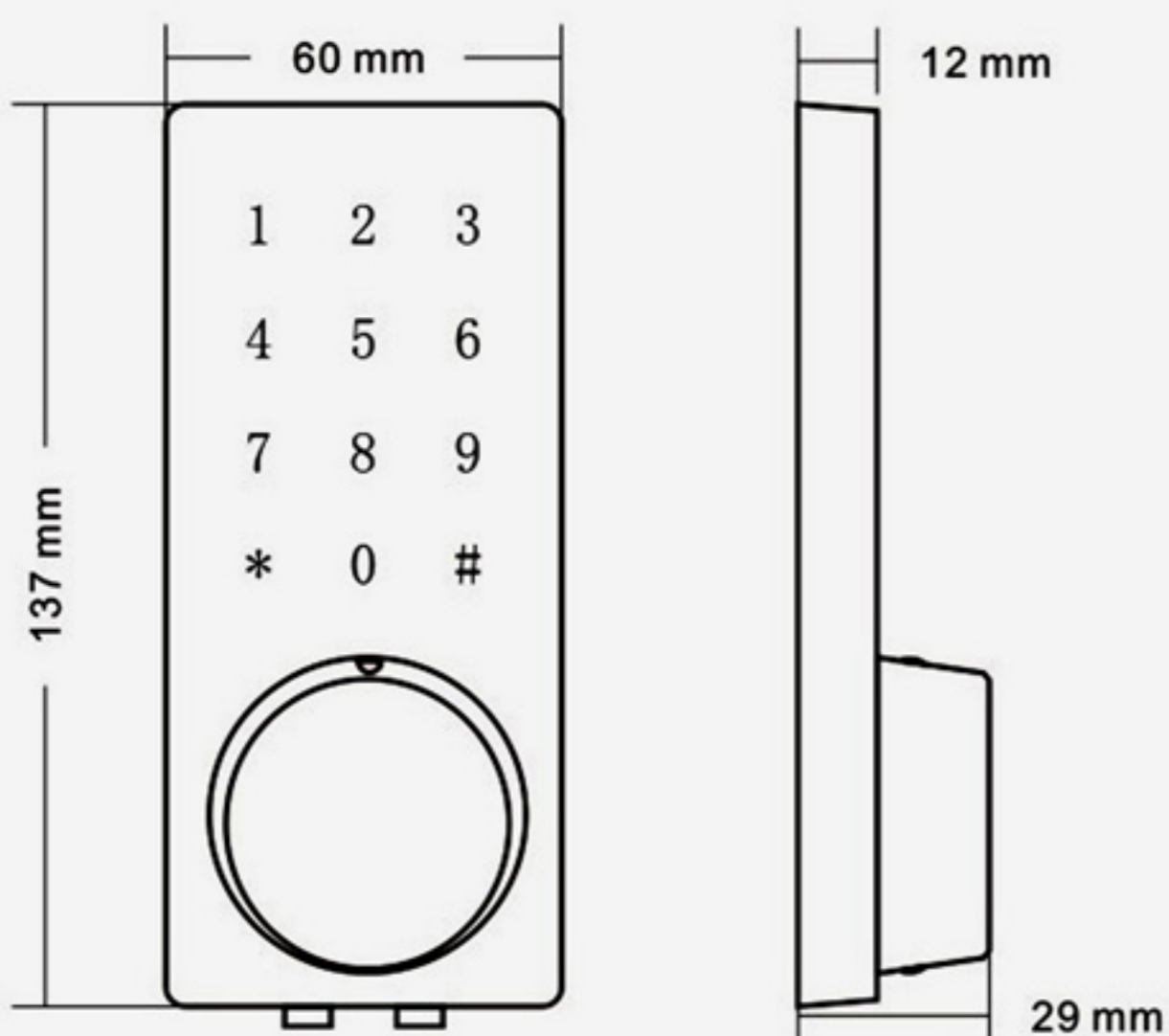
### Package Box

238 X 196 X 110 mm

### Optional

EU deadbolt mortise (EU lock case)

## Lock Size



## Package List

